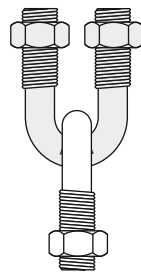


はずる

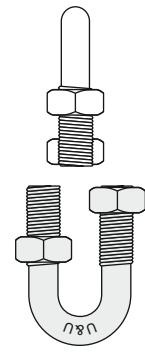
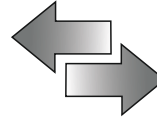
TM
®

H U Z Z L E

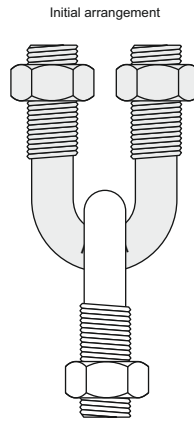
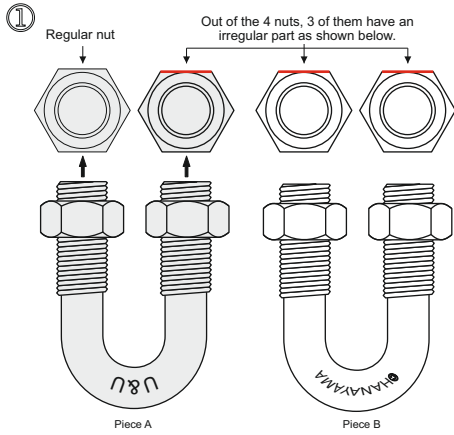
Huzzle Cast U&U



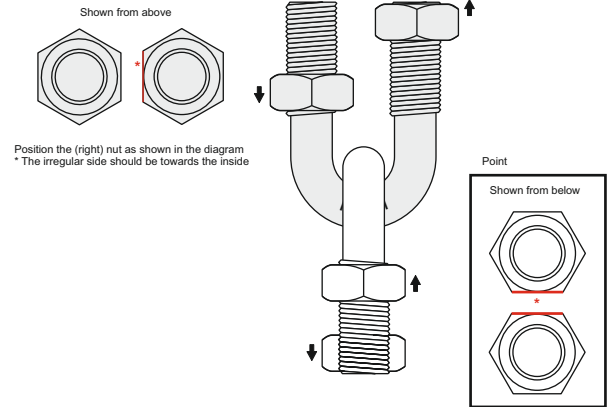
Assembled



Disassembled

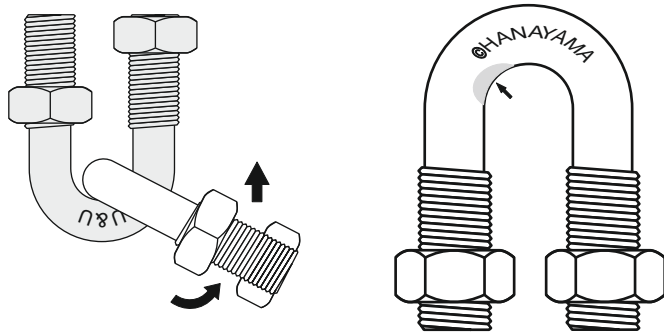


② Rotate the nuts to the positions as shown below.

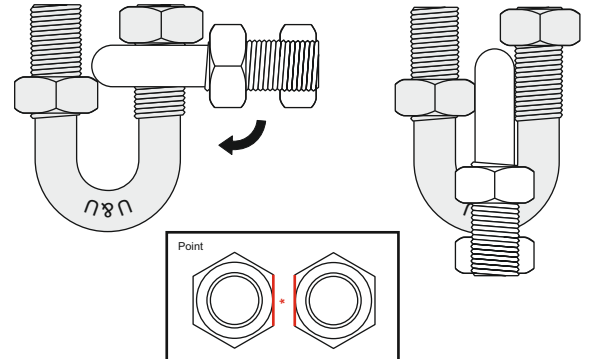


Position the nuts as shown in the diagram
* The irregular sides should be towards the inside

③ Move piece B towards the position as shown in the diagram below, and move B upwards, making sure to keep the depression on the B always in contact with A.

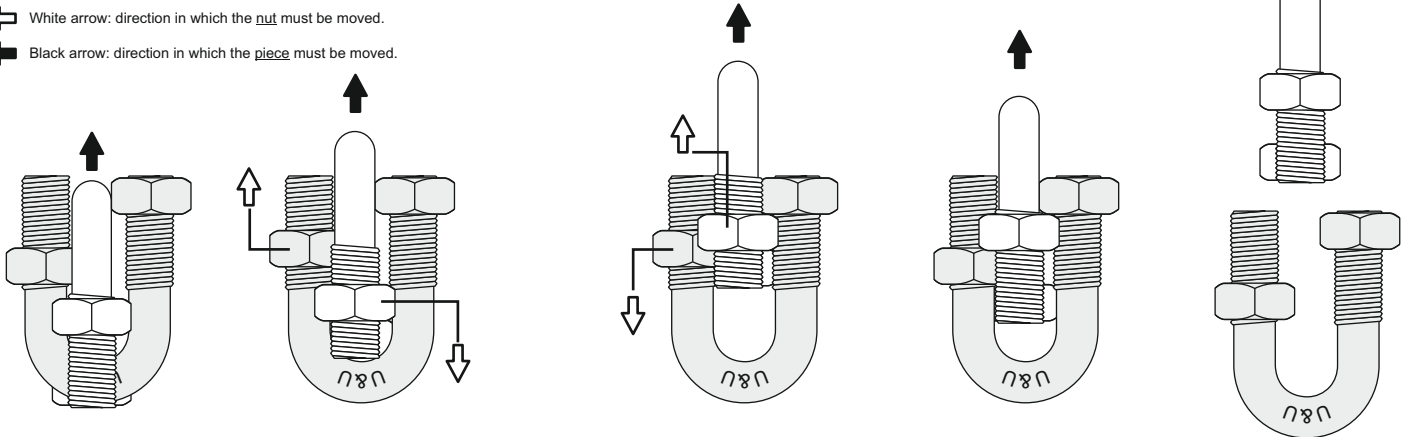


④ When B slipped past the nut on the left side of A, return B to the vertical position.



⑤ Move the pieces and nuts in the direction as shown below.

↔ White arrow: direction in which the nut must be moved.
↔ Black arrow: direction in which the piece must be moved.



* Move and use the irregular parts of the nuts so that it will slide through the space.

Completed!

Designer: Kyoo Wong (HK)

© 2014, 2018 Hanayama Co., Ltd.
All Rights Reserved



Exclusive European distribution
by Eureka bvba - 2800 Mechelen, Belgium