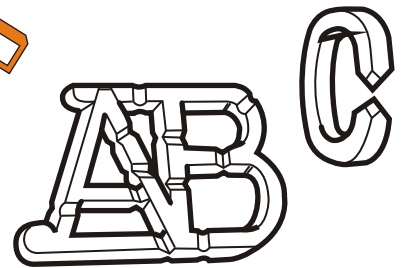
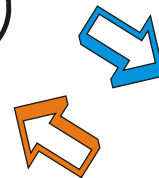
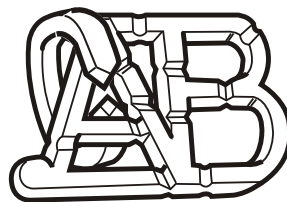




TM
®

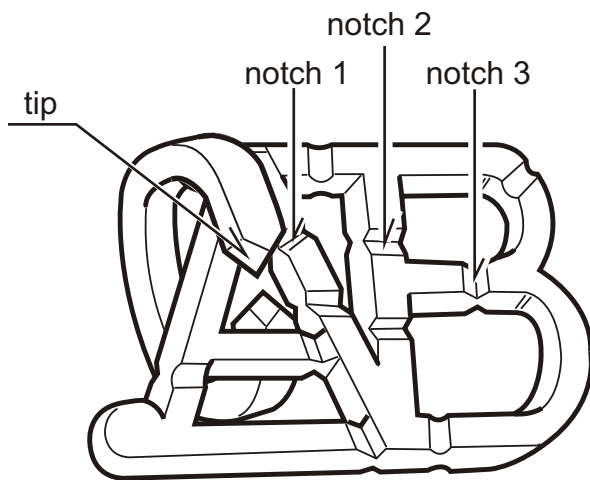


© Japan 2000-2005
All design and copyrights reserved

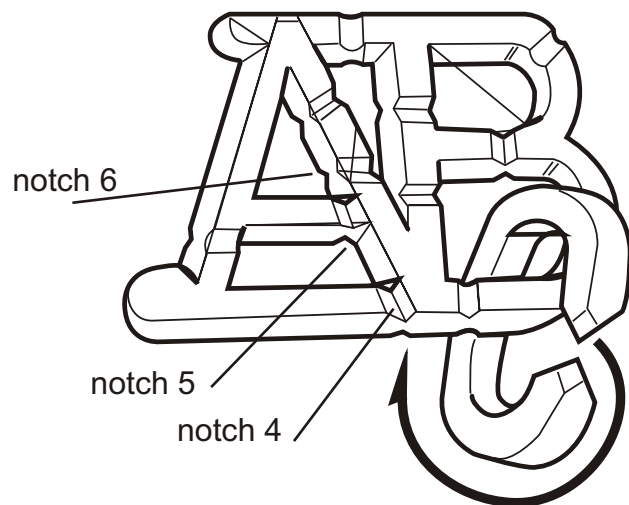


Exclusive European distribution
by Eureka bvba - 2812 Belgium

① Pass the tip of piece C through the notches 1, 2 and 3



② Piece C is now in the big hole of the B!
Turn over piece C for 180 degrees and
continue passing the tip of piece C
through the notches 4, 5, 6, 2 and 3



③ Piece C is now in the big hole
of the B again and can be taken out easily!

