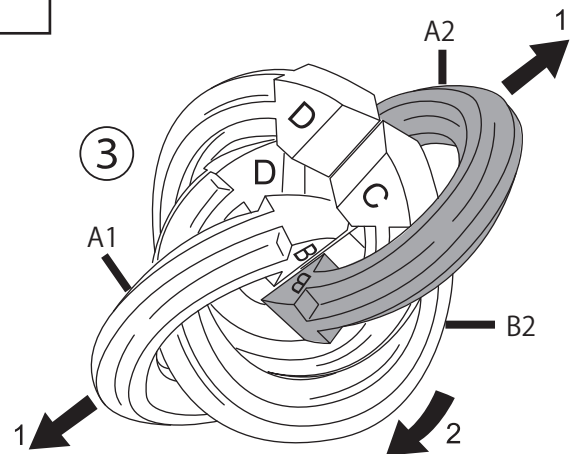
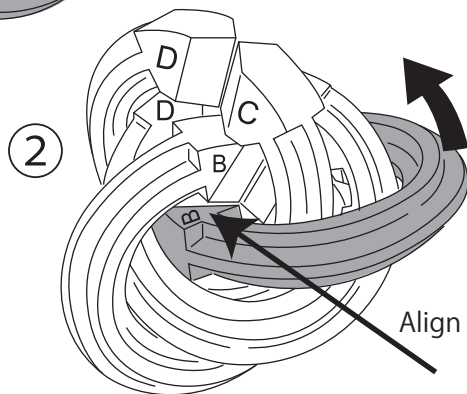
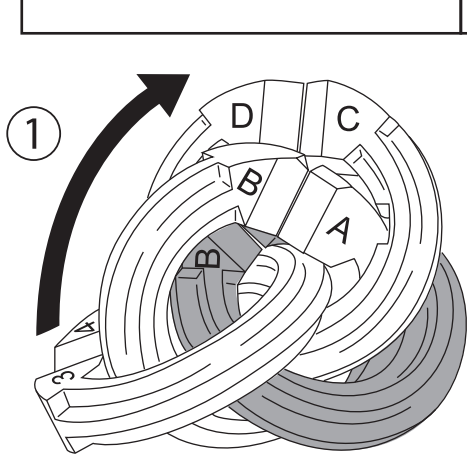
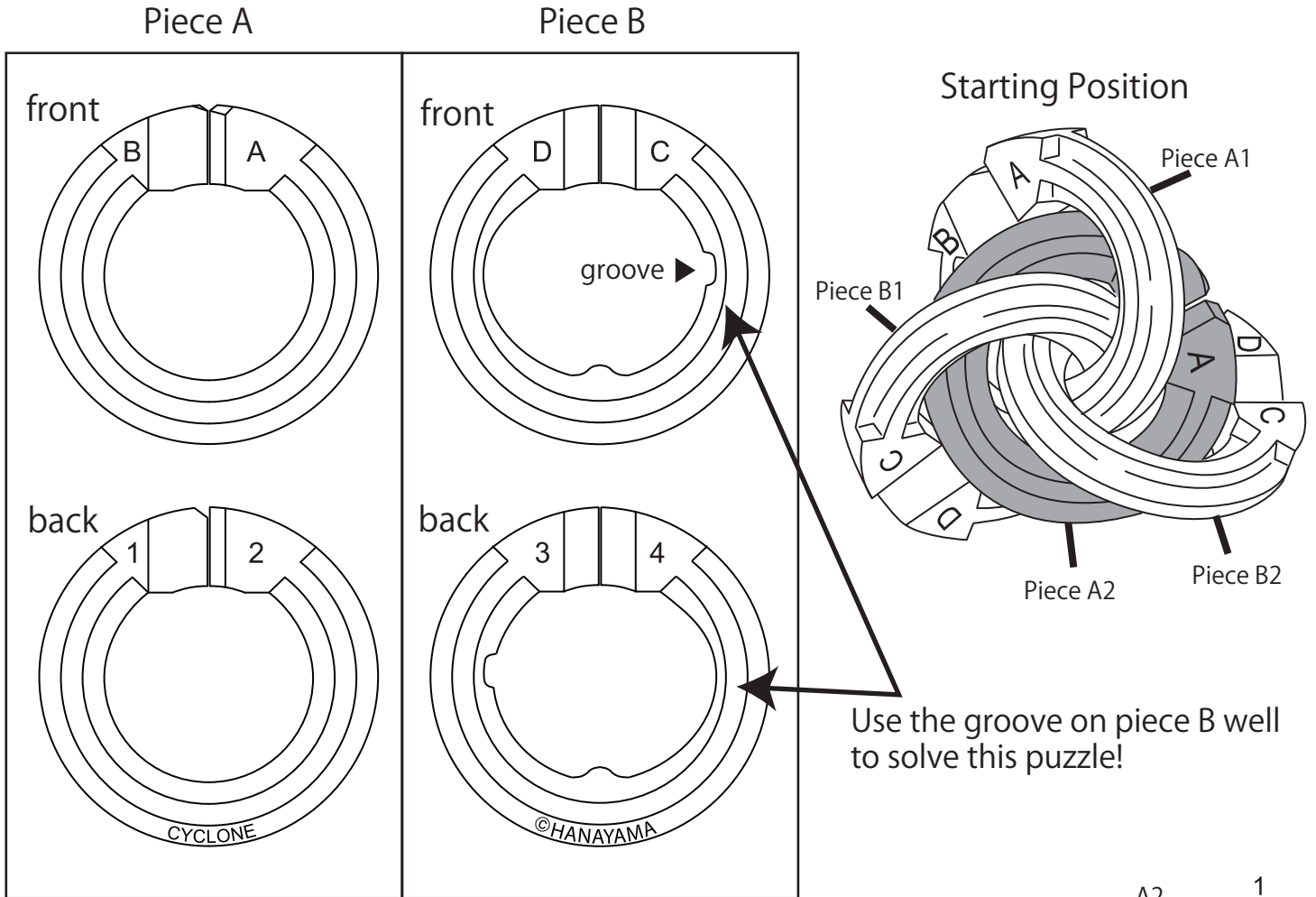
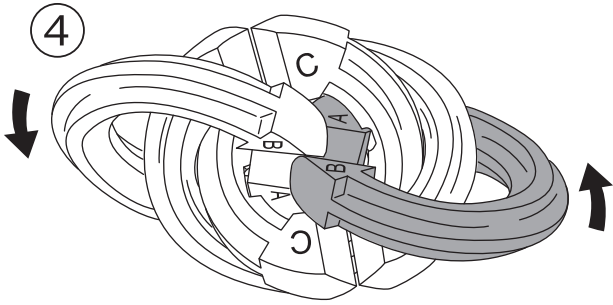
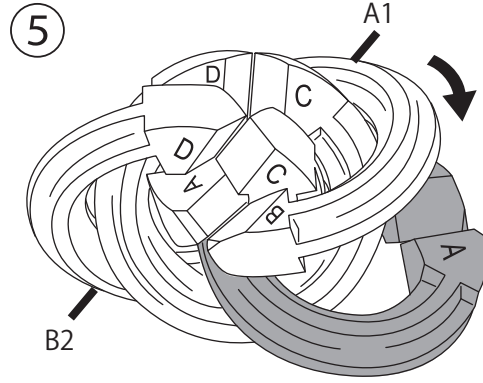


This puzzle is made up of two types of pieces named A & B as below. One piece A is in gold. Alphabets and numbers are marked as below for the purpose of this instruction:



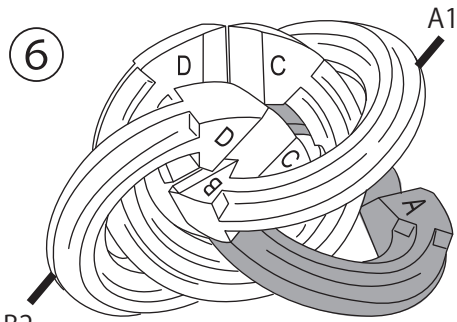


Insert the corner of the opening of A into the groove of B. When you twist it up, the A pieces come off.

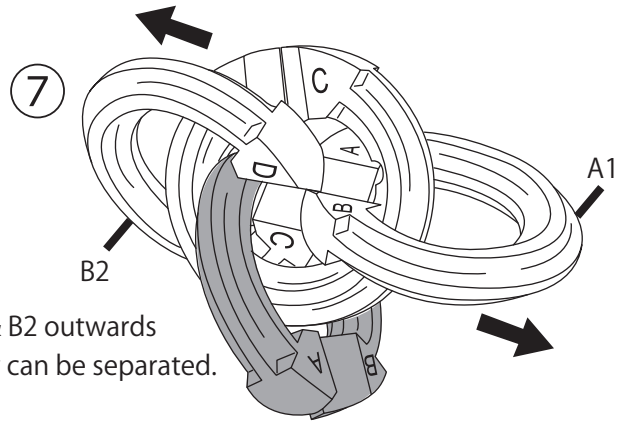


Move A1 & B2 to position as shown.

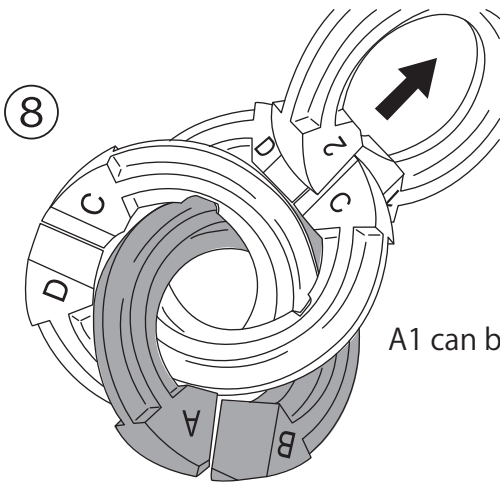
Move so that the openings of A1 and B2 are aligned.



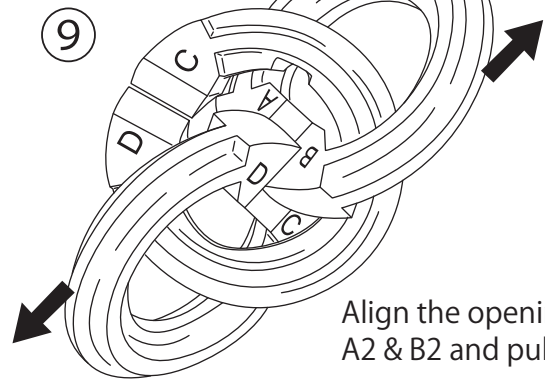
Align the openings of A1 & B2.



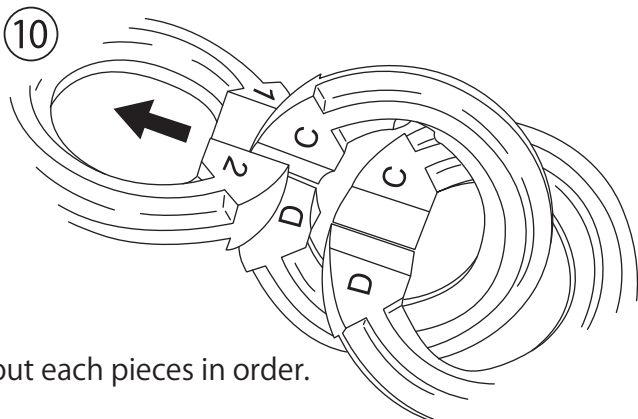
Pull A1 & B2 outwards and they can be separated.



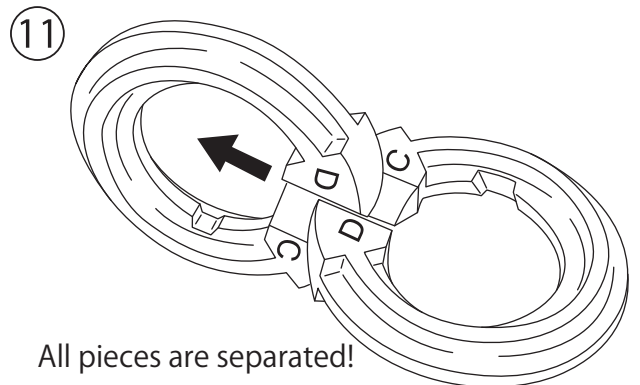
A1 can be taken apart.



Align the openings of A2 & B2 and pull out.



Pull out each pieces in order.



All pieces are separated!